

Air Advanced MZDC Multi Zone Ducted Climate



A kit provides ducted zone climate control throughout your house with individual temperature and operating controls in each zone.

OVERVIEW

Air Advanced MZDC provides multi zone ducted air heating or cooling for up to six areas in your home.

Each zone has a touch switch to provide on/off control, temperature setting and area temperature sensing.

A central Touch Screen Controller provides systems management and provides connectivity to your wireless router for smart app operation over the LAN or remote internet access.



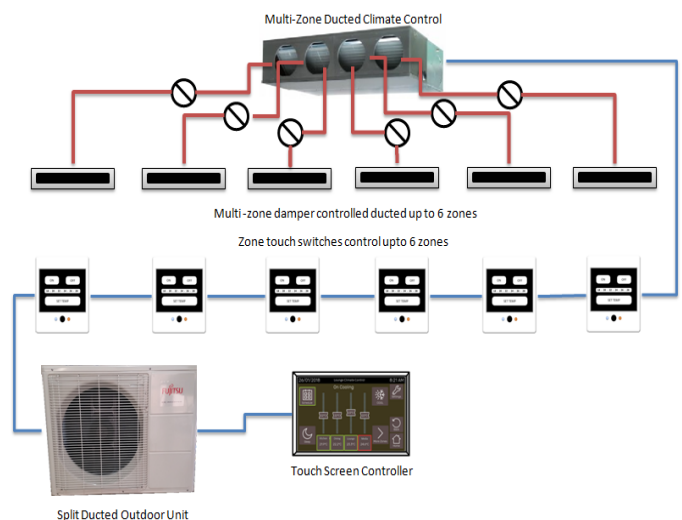
FEATURES

- Individual multi zone ducted with dynamic damper control. Up to six zones.
- 7.5" Touch screen controller for user access and system control.
- Smart device enabled over LAN and internet.
- Touch switch for zone temperature sensing and local user control.
- Uses electricity – in NZ a predominantly renewable energy – a great choice for the environment.
- Powered by one of the most trusted heat pump manufactures, the Fujitsu split ducted series is sized to suit.
- Whisper quiet, units operate as low as 25 to 29 decibels.

FUNCTIONS

Air Advanced MZDC is the most advanced air management system available with dampers and sensors to manage the set point of each individual area.

Air Advanced MZDC can run either stand alone or integrated with the Ata Touch automation system.



Ata Touch Air Advanced

Electrical	Power Supply		1, 230, 6, 50	Ø, V, A, HZ
Heat Pump Type	Powered by	Fujitsu Split Ducted SET-ARTG30LHTDP to SET-ARTG54LHTDP		
Refrigeration	Refrigerant	Type	R410A	
	Pipe Size (outdoor to A&W)	Liquid	9.52 (3/8)	mm (inch)
		Gas	15.875 (5/8)	mm (inch)
	Pipe Size (A&W to Ducted)	Liquid	9.52 (3/8)	mm (inch)
		Gas	15.875 (5/8)	mm (inch)
	Installation restrictions	Max Length	50 to 75	m
		Max Height	20 to 30	m
		Min Length	5	m
Charge (Ducted pre charge (3350g) upto 20m + 40g per additional meter + A&W charge)			200	g
COP (ave 16 to 54°C)		Heating	3.7	W/W
Ducted Air	No. Zones		1 to 10	

Ata Touch – Energy Efficient Smart Home - Solution

HEAT PUMP	SECURITY	FEATURES	LIGHTING	DEVICE CONTROL
Hi-Wall split Ducted zone controlled Domestic hot water Spa pool Swimming pool Underfloor heating	Intrusion detection Smoke detection Monitored	Away shutdown mode Scheduling Realtime clock Photo frame Smart device app Graphical configuration Diagnostics	Mood lighting Night motion lighting Smart device lighting General lighting Feature lighting Garden lighting Outdoor lighting Path lighting	Extractor fan Blind Curtain Gas fire Window Gates Garage Doors Doors Water systems

Air & Water Essential DHW is part of a holistic Energy Efficient Smart home system known as Ata Touch.

For more information

Contact Ata Touch sales@atatouch.co.nz to find out more about how to best control your home